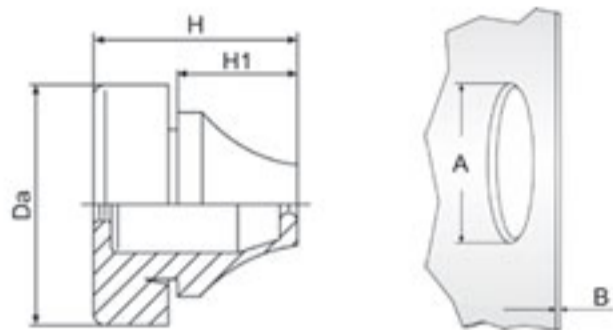




RUBBER GLANDS

Material: EPDM - Halogen Free Resistant to chemicals and weatherproof.
 Made of protection: IP67 acc. to EN 60592
 Temperature range: -40°C +110°C (Unstressed material)
 Test standard: SEMKO 44:1984
 Semko report: 0211038/01-07



Suitable for holes in materials of 0,5 - 4 mm thickness.
 Quick and simple assembly without the use of tools.

RAL 7035

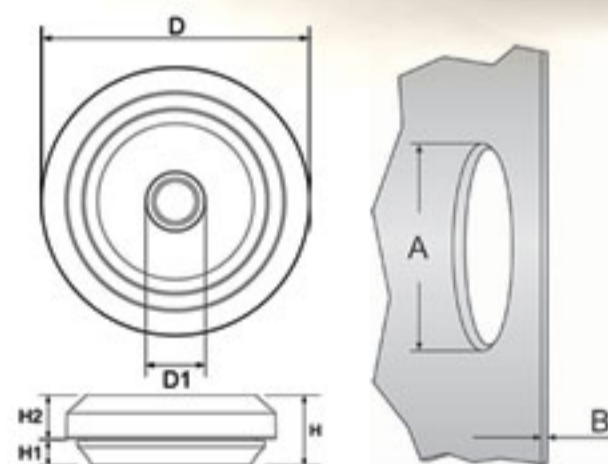


E-number	size	For cable/ pipe Ø mm	A mm	B mm	Da mm	H mm	H1 mm	Pcs pack
T_14 582 34	M16	5 - 9	16,5	1 - 4	21	17,7	11	50
T_14 582 35	M20	8 - 13	20,5	1 - 4	25,5	20	13,4	50
T_14 582 36	M25	11 - 17	25,5	1 - 4	30,5	21,3	15,3	50
T_14 582 37	M32	15 - 20	32,5	1 - 4	38,5	24,6	18,6	25
T_14 582 38	M40	19 - 28	40,5	1 - 4	48,5	29,5	21,7	25
T_14 582 39	M50	27 - 35	50,5	1 - 4	60,5	34,8	25	10



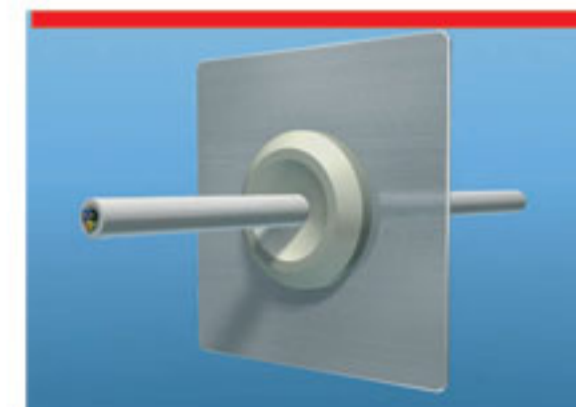
TSS

Material: TPE - Thermoplastic Elastomer- Halogen Free.
 UL approved material
 Made of protection: IP67
 Temperature range: -50°C +125°C (Unstressed material)
 Test standard: EN60529:1991+A1,
 EMKO-TUI (03-SEC) FI001/84
 Semko report: M16 - 708555-1
 M20 - 708555-2
 M25 - 708555-3
 M32 - 708555-4



Quick and simple assembly without the use of tools.
 Handles exceptionally large cable span
 An end-plug for all applications

RAL 7035



E-number	size	For cable/ pipe Ø mm	A mm	B mm	D* mm	D1 mm	H mm	H1 mm	H2* mm	Pcs pack
T_14 757 11	M16	5 - 10	16,5	0,5 - 3	23,5	4	11	4	6,75	50
T_14 757 12	M20	6 - 13	20,5	0,5 - 3	27,5	5	11	4	6,75	50
T_14 757 13	M25	8 - 17	25,5	0,5 - 3,5	32,5	7	11	4	6,75	50
T_14 757 14	M32	12 - 24	32,5	0,5 - 4,5	39,5	11	11	4	6,75	25

*Varies depending on the thickness of material installed in.